



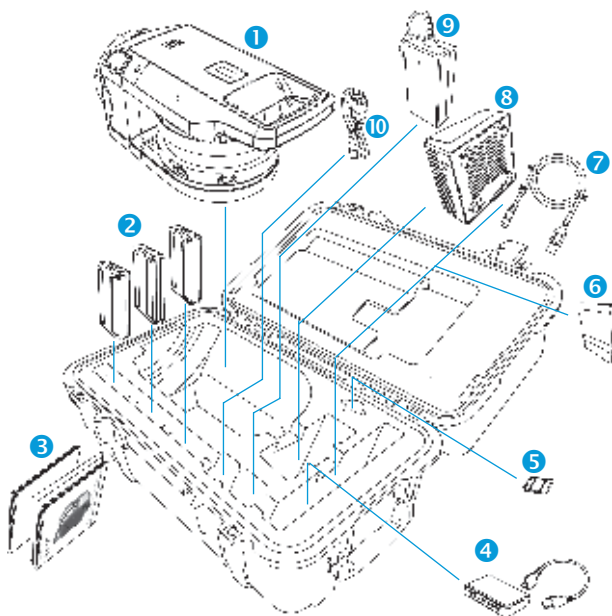
Trimble X7

3D LASER SCANNER



The Trimble® X7 is a high-speed 3D laser scanning system with new innovations to simplify adoption, increase efficiency, and provide confidence in the field.

IN THE CASE

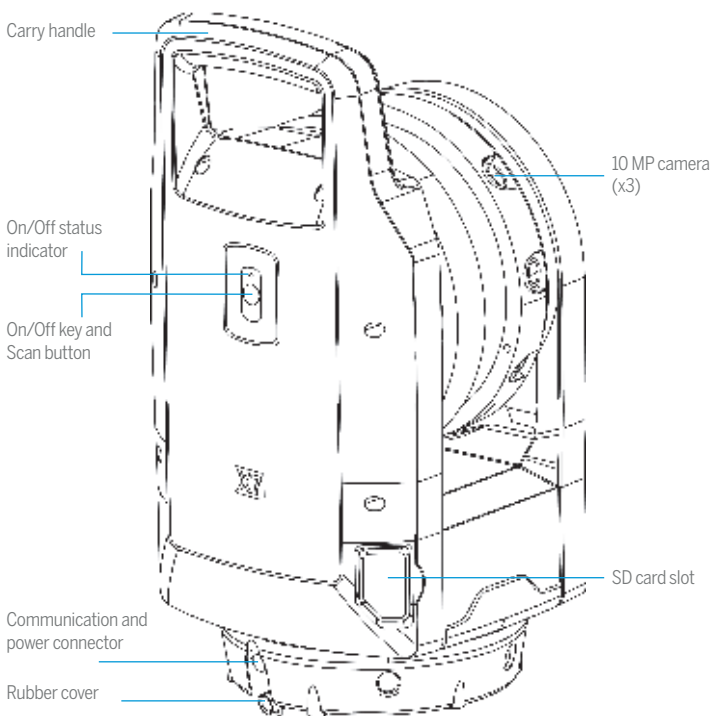


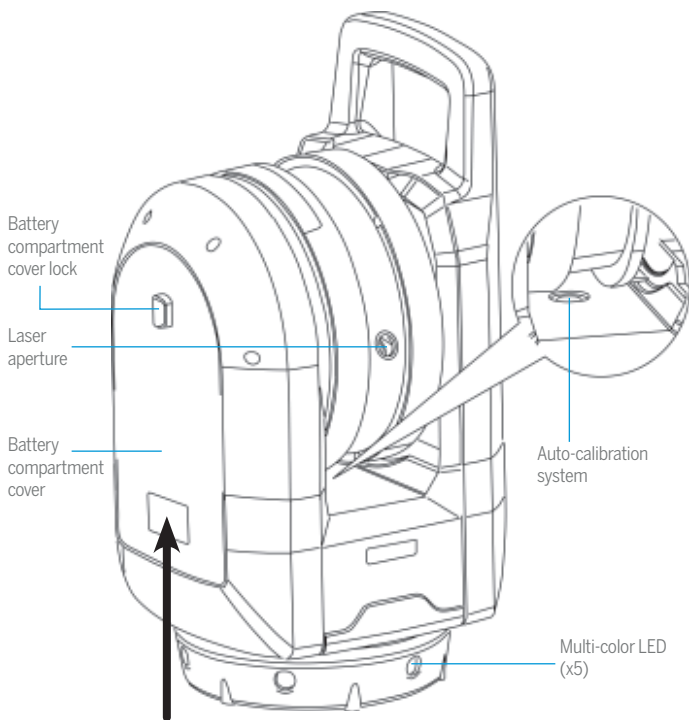
Item	Description	Item	Description
1	X7 3D Laser Scanner	4	SD card reader
2	Battery (x3)*	5	SD card
3	Documents: <ul style="list-style-type: none"> • Quick Start Guide • Warranty activation card • Instrument test certificate • Regulatory Information Document 	6	Cleaning cloths
		7	USB communication cable
		8	Dual-battery charger**
		9	Power supply for charger**
		10	Power supply cable for charger**

* Shipping regulations only allow two batteries to be packed separately and one battery to be inserted in the instrument. Before using, remove the tape over the contact of the battery in the instrument.

** Regional parts (P/N 101070-00-##) ordered and shipped separately.

FEATURES





SPECIFICATIONS

Physical specifications

Instrument weight (with battery)	5.8 kg (12.79 lbs)
Internal battery weight	0.35 kg (.77 lbs)
Dimensions	178 mm (width) x 353 mm (height) x 170 mm (depth) 7.00 in (width) x 13.90 in (height) x 6.69 in (depth)

Environmental specifications

Ingress protection rating	IP55
Operating temperature range	-20 °C to 50 °C (-4 °F to 122 °F)
Storage temperature range	-40 °C to 70 °C (-40 °F to 158 °F)

For complete technical specifications, please refer to the *Trimble X7 3D Laser Scanner Data Sheet* available from www.trimble.com.

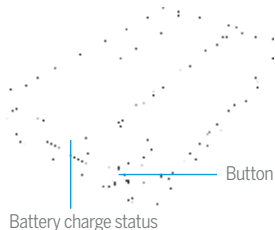
BATTERY INFORMATION

⚠ WARNING – Before charging or using the X7 battery, it is important that you read and understand the battery safety and environmental information in the *Trimble X7 3D Laser Scanner Regulatory Information Document*.

NOTE – You must remove the tape over the contact of the battery stored in the instrument before charging or using it with the scanner.

NOTE – Use only batteries with P/N 99511-30.

NOTE – The performance of the battery will be lower at temperatures below 0 °C (32 °F). The performance of a cold battery might not be enough to start the instrument. For best battery performance, keep the battery at a temperature as close to 20 °C (68 °F) as possible before using in the instrument.



The X7 3D Laser Scanner battery has status indicator LEDs. Push the button on the battery to check the charge status.

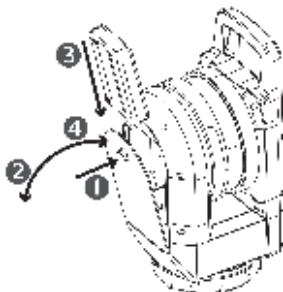
Charge the battery

When the rechargeable Lithium-ion battery is delivered, it is partially charged. Before using the battery for the first time, charge it completely using a Trimble dual-battery charger (P/N 109000).

For more information, refer to the Trimble X7 3D Laser Scanner User Guide.

Inserting the internal battery

1. Press the battery compartment lock downward to unlock.
2. Open the battery compartment.
3. Insert the battery into the battery compartment, with the battery connectors positioned towards the bottom of the instrument, and facing inward.
4. Close the battery compartment.

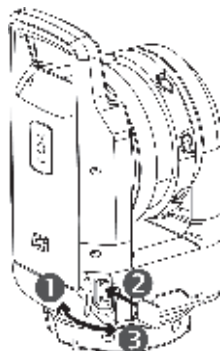


INSERTING A MEMORY CARD

NOTE – Before inserting (or removing) a memory card from the instrument, ensure that the instrument is off.

CAUTION – Do not insert the memory card upside down or back to front. Inserting the card incorrectly could damage the instrument and/or the memory card.

1. Open the memory card slot cover.
2. Slide the memory card into the card slot until it clicks into the locked position.
3. Close the memory card slot cover.



SETUP

A stable setup is critical for high precision measurements. Set the tripod legs wide apart to ensure stability.

Please take into account that the instrument requires sufficient time to adjust to the ambient temperature like all optical equipment. The rule-of-thumb for a high precision measurement is:

- Celsius – Difference between the instrument and ambient temperature in degrees Celsius ($^{\circ}\text{C}$) $\times 2$ = duration in minutes required for the instrument to adjust to the new ambient temperature.
- Fahrenheit – Difference between the instrument and ambient temperature in degrees Fahrenheit ($^{\circ}\text{F}$) = duration in minutes required for the instrument to adjust to the new ambient temperature.

POWER ON/OFF INSTRUMENT

1. Power on the instrument with a short press of the On/Off key. You will hear ascending beeps when the instrument is starting up.
2. To power off the instrument, press the On/Off key until the On/Off key LED starts to flash with a high frequency. The On/Off key LED will continue to flash with a high frequency until the instrument powers off. You will hear descending beeps when the instrument is shutting down.

LEDS

On/Off Key LEDs

LED	The instrument is ...
Off	off.
Yellow, flashing	starting.
Yellow, solid	ready.
Yellow, flashing high frequency	shutting down.

Multi-color LEDs

LED	The instrument is ...
Off	off.
Orange, flashing	starting, shutting down, or updating firmware.
Green, short blink	ready, but not connected to the controller. Scan button operation only.
Green, solid	ready and connected to the controller.
Blue, flashing	initializing, calibrating, leveling, scanning, and acquiring images.
Red, solid	encountering an issue with the battery, the SD card, leveling, auto-calibration, acquiring data, or there is a hardware failure.

OPERATION

The instrument is operated from the Trimble T10 tablet or comparable Microsoft® Windows® 10 tablet running the Trimble Perspective, Trimble Field Link, or Trimble Forensics Capture software. When the instrument is started, it is available for connection by the field software with Wi-Fi or with a USB 2.0 cable.

NOTE – Use only the approved Hirose 6P-PC to USB 2.0 cable (P/N 53096032) for cable communication between the instrument and the controller.

NOTE – Scans can be started with a short press of the power button when the controller is not connected.

For more information on the controller software, refer to the Trimble Perspective, Trimble Field Link, or Trimble Forensics Capture user guides.



Additional information

The original document is written in English. All documents in other languages are translations from the original English document. For more information and information in other languages, go to www.trimble.com.

For Trimble support, go to www.trimble.com/support.

© 2019, Trimble Inc. All rights reserved. Trimble, and the Globe & Triangle logo are trademarks of Trimble Inc., registered in the United States and in other countries. Microsoft and Windows are either registered trademarks or trademarks of Microsoft Corporation in the United States and/or other countries. All other trademarks are the property of their respective owners.
P/N 77005047-ENG, Revision E, August 2019.



Trimble Inc.
10368 Westmoor Drive
Westminster CO 80021
USA

www.trimble.com